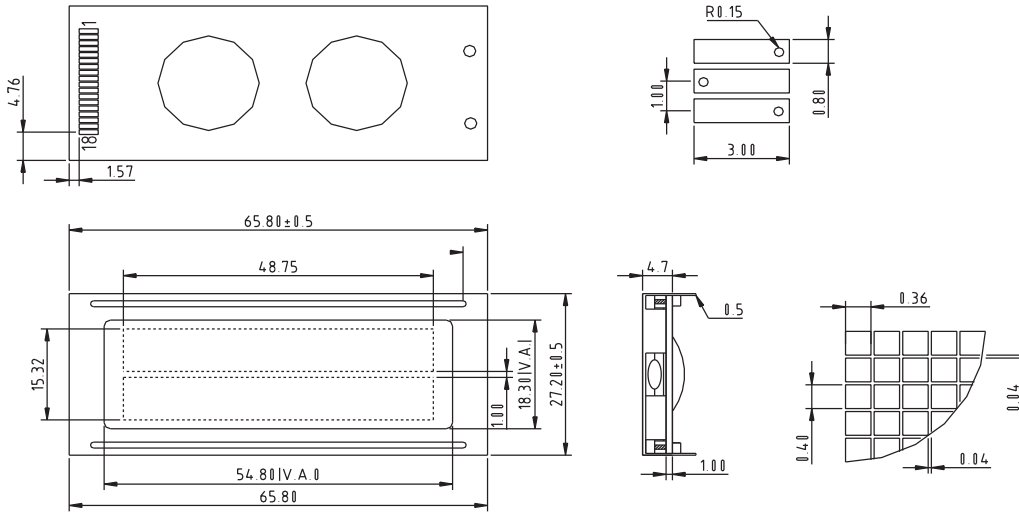
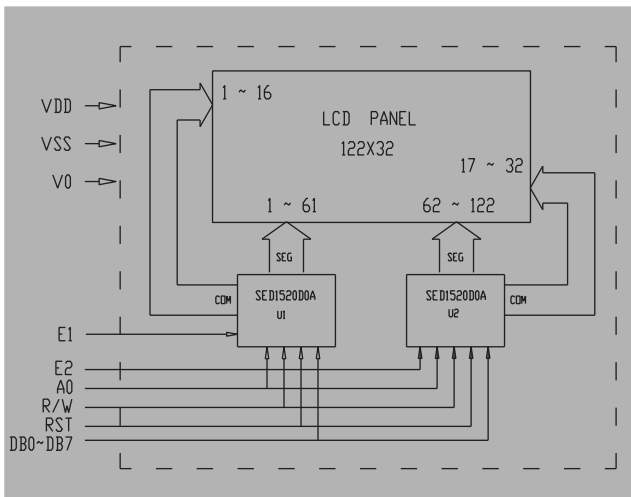




Outline Dimension



Block diagram



Feature

1. 122X32 dots graphic LCD module
2. Built-in controller (SED1520D0A)
3. 5.0V power supply
4. STN; 1/32 duty cycle

Mechanical Data

Item	Standard	Unit
Module dimension	65.8x27.20	mm
Viewing area	54.8x18.30	mm
Dot size	0.36x0.40	mm
Dot pitch	0.40x0.44	mm

Absolute Maximum Rating

Item	Symbol	Standard			Unit
		Min	Typ	Max	
Power supply	VDD-VSS	-0.3	-----	5.5	V
Input voltage	VI	-0.3	-----	VDD	

Electronical characteristics

Item	Symbol	Condition	Standard			Unit
			Min	Typ	Max	
Input voltage	VDD	+5V	4.7	5.0	5.5	V
Supply current	I _{DD}	VDD=5V	-----	2.5	-----	
Recommended LCD driving voltage for normal temp version module	VDD-V0	-20°C	-----	-----	-----	V
		0 °C	4.7	5.0	5.5	
		25°C	4.3	4.5	4.7	
		50°C	4.1	4.3	4.5	
LED forward voltage	VF	25°C	-----	-----	-----	V
LED forward current	IF	25°C	-----	-----	-----	mA
EL power supply current	I _{EL}	V _{EL} =110V AC 400Hz	-----	-----	-----	mA

Interface pin connections

PIN NO	Symbol	Function
1	VDD □	+5V
2	VSS	GND
3	V0	Operating voltage for LCD □
4	RST	H/L Reset signal
5	E1	H/LChip enable signal
6	E2	H/LChip enable signal
7	R/W	H/L Read/write
8	A0	H/L H:Data L:Instruction code
9 to 16	DB0 to DB7	H/L Data bus line