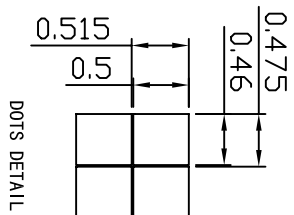
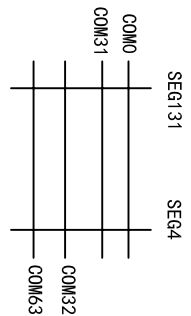
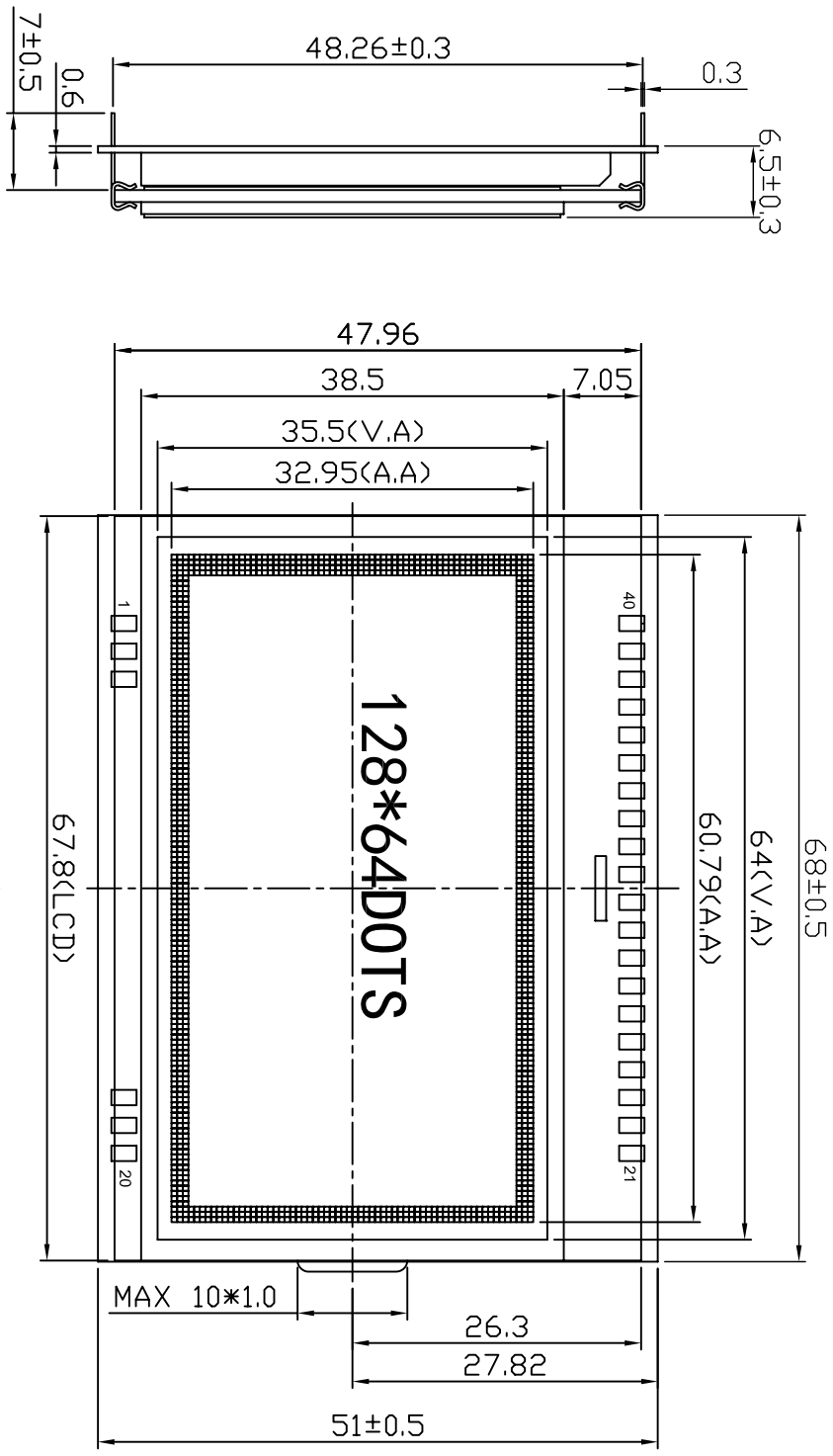
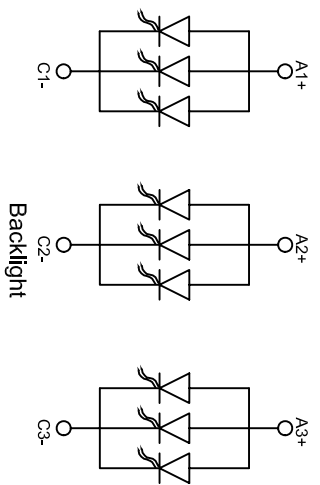


REV	DESCRIPTION:	5	DATE	6
-----	--------------	---	------	---



PIN1	SIGNAL	PIN1	SIGNAL	Function
1	A1+ LED+	21	V0	LCD Drive
2	A2+ LED+	22	V1	
3	A3+ LED+	23	V2	
		24	V3	Power Supply 0V
		25	V4	
		26	VSS	
		27	CAP2N	Voltage Converter
		28	CAP2P	
		29	CAP1P	
		30	CAP1N	Voltage output
		31	CAP3P	
		32	VOUT	
		33	VSS	Power Supply 0V
		34	VDD2	
		35	VDD	
		36	SI	Power Booster
		37	SCL	
		38	A0	
18	C1- LED-	39	/RST	Serial data in
19	C2- LED-	40	CS1B	
	C3- LED-			

- Feature:
1. Display mode: FSTN / Positive / Transflective
 2. Driving: Duty:1/64, 1/9 Bias, VLCD:9.0V
 3. Viewing Direction: 6 O'clock
 4. Backlight: LED sidelight(Color: White)
 5. Driver: ST7565R VDD: 3.3 V
 6. Built-in DC-DC inverter
 7. Operating temp.: -20° C~+70° C
 - Storage temp.: -30° C~+80° C
 8. ROHS Compliant



Model Name: GDC12864AJ-FSW-FBW		Xiamen Ocular Optics CO., LTD.	
APPROVALS	DATE	UNLESS OTHERWISE STATED	
DWN: Lin	2017.12.26	TOLERANCES: XX.X ±0.20	
CHK:		XX.X ±0.10	
APP:		SIZE: A4	UNIT: mm
			Page: 1-1