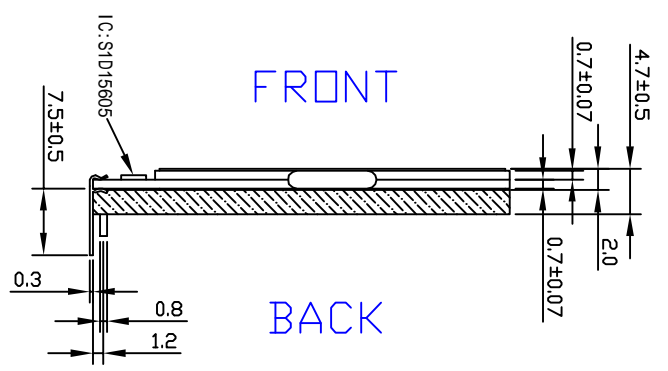


↙ 6 O'CLOCK VIEWING DIRECTION



PIN NO.	SYMBOL	PIN NO.	SYMBOL
1	C86	15	Vdd
2	VSS	16	DB7
3	V5	17	DB6
4	V4	18	DB5
5	V3	19	DB4
6	V2	20	DB3
7	V1	21	DB2
8	Cap2+	22	DB1
9	Cap2-	23	DB0
10	Cap1-	24	RD(E)
11	Cap1+	25	WR(R/W)
12	Cap3-	26	AO
13	Vout	27	RST
14	VSS	28	CS1

- NOTES:
1. DISPLAY TYPE: FSTN
  2. VIEW DIRECTION: 6 O'CLOCK
  3. POLARIZER TYPE: TRANSPARENTIVE/POSITIVE
  4. DRIVER METHOD: 1/65 DUTY 1/9 BIAS
  5. LCD DRIVING VOLTAGE: 9.0V
  6. DRIVING IC VOLTAGE: 3.3V
  7. OPERATING TEMP: -20 ° C ~ +70 ° C
  8. STORAGE TEMP: -30 ° C ~ +80 ° C
  9. CONNECTOR TYPE: COG+PIN
  10. DRIVE METHOD OF BACKLIGHT: WHITE 3.0V/90mA
  11. OTHER TOLERANCE: ± 0.2mm

XIAMEN OCULAR OPTICS CO.,LTD			
REVISION RECORD			Drawn:
VER	Date	Modify Contents	SKY
2			SKY
3			
4			Approved:
5			Date: 2010-08-31
6			Page: 1-1

